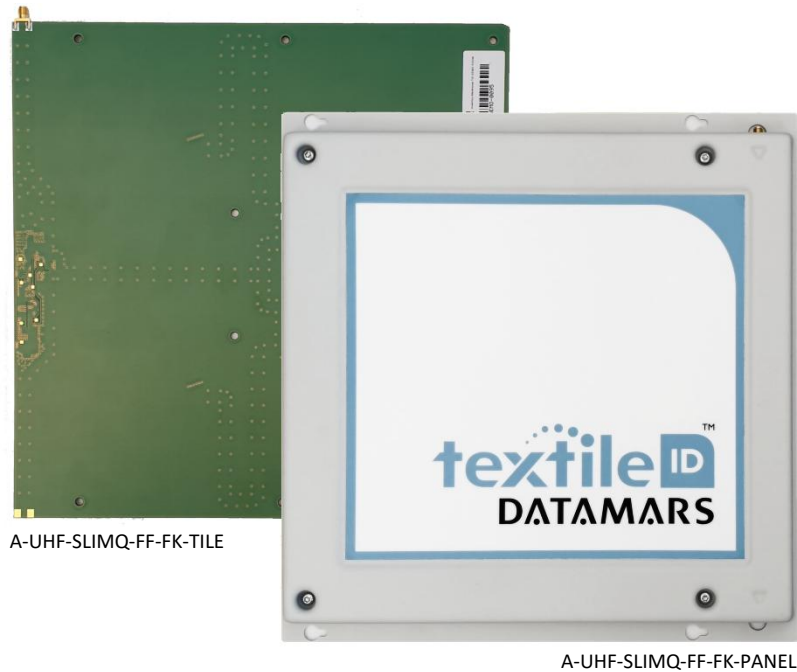


UHF SLIMQ FAR FIELD ANTENNA

Hanging conveyors and table-top reading systems

A-UHF-SLIMQ-FF-FK



Product info

- Confined reading area with minimum reader power
- Broad read range with higher reader power
- Circular polarization: minimize tag miss readings
- Outstanding performance in reducing stray reads from back side
- Quick easy installation, versatile application: belt / hanging conveyors and table top mount
- Suitable for customized reading systems or rapid deployment

Product Description

Specifically designed for reading systems with precise reading area requirements, this far field antenna is well suited for UHF reading textile applications like hanging conveyors, belt conveyors, table top.

It is designed to provide a homogenous reading area on the front side, independently from tags orientation on a coplanar reading plane.

In combination with the appropriate reader configuration the antenna allows to limit the reading volume and avoid stray reads.

The product is available in two versions: TILE, without casing for optimal integration in custom machines or assembled and PANEL, assembled in a plastic case with a metallic backplate for indoor use and quick mounting.

UHF SLIMQ FAR FIELD ANTENNA

A-UHF-SLIMQ-FF-FK

Technical data

Dimensions (L x W x H)	TILE: 300 x 310 x 8.6 mm (11.8" x 12.2" x 0.4") PANEL: 340 x 330 x 22 mm (13.4" x 13.0" x 0.9")
Weight	TILE: 0.5 kg (1.1 lbs) PANEL: 1.4 kg (3.1 lbs)
Operating temperature range	-20 °C to +55 °C (-4 °F to 122 °F)
Humidity range	5 % to 95 %, non-condensing
Protection / load capacity	TILE: none / direct load not allowed PANEL: IP20 / load capacity max 5kg
Operating frequency range	865-868 MHz (ETSI) 902-928 MHz (FCC)
Polarization	Circular
Gain (typ.)	4.5 dBiC (ETSI) 5.0 dBiC (FCC)
Far field HPBW	60° / 60° (ETSI) 58° / 58° (FCC)
Impedance	50 Ω
Antenna connector	FAKRA Type Z male
Cable (included)	50 Ω coax., 3m (9.85 ft.), FAKRA female - RP-TNC male
Max input power	+33 dBm (ETSI EN 302 208) +30 dBm (FCC 15.247)
Warranty	1 year

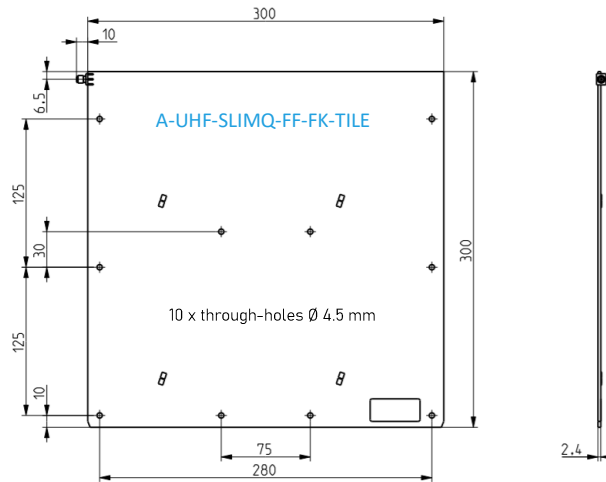
Ordering information

A-UHF-SLIMQ-FF-FK-TILE (ETSI)	800 3075-867
A-UHF-SLIMQ-FF-FK-TILE (FCC)	800 3075-868
A-UHF-SLIMQ-FF-FK-PANEL (ETSI)	800 3075-869
A-UHF-SLIMQ-FF-FK-PANEL (FCC)	800 3075-870
A-UHF-CAB-3-MT-FK	400 3075-257 (Replacement 3meters cable)

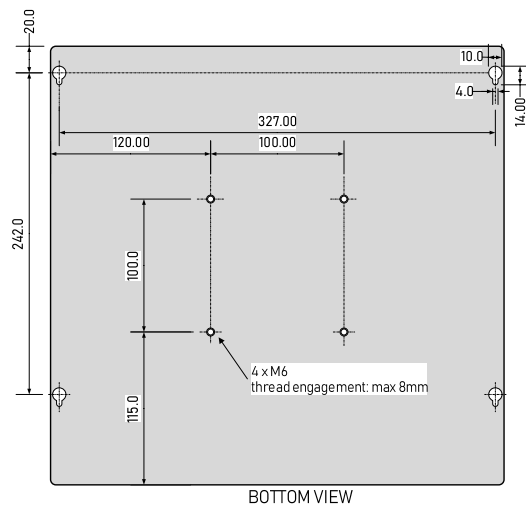
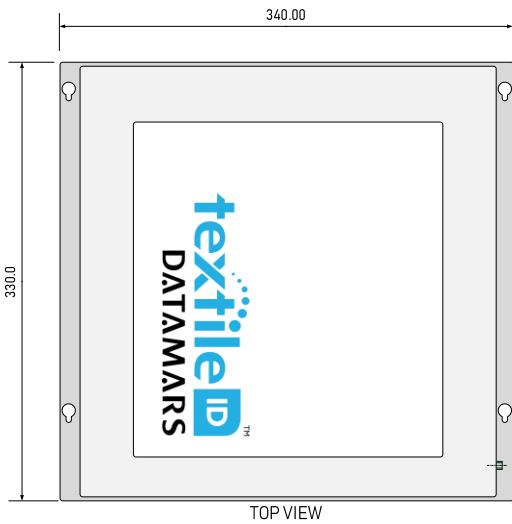
UHF SLIMQ FAR FIELD ANTENNA

A-UHF-SLIMQ-FF-FK

Drawings



A-UHF-SLIMQ-FF-FK-PANEL



*all dimensions are in mm

Four M6 inserts on the back allow to easily install the antenna.